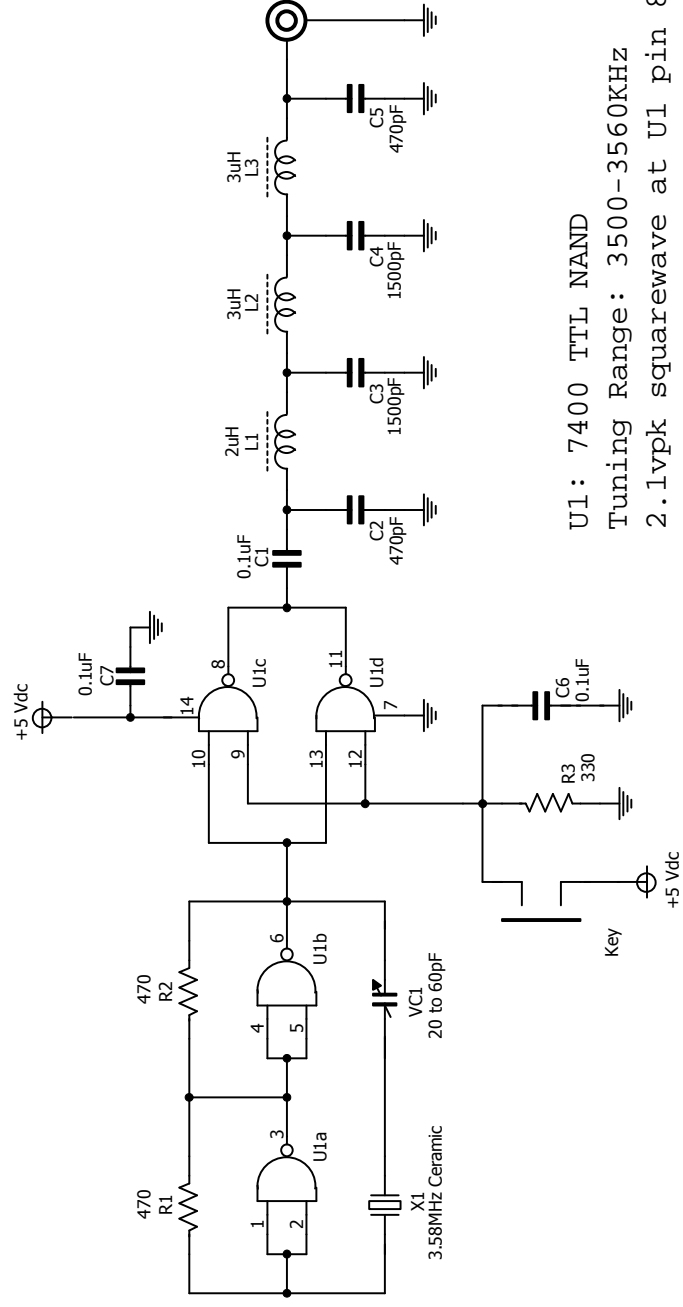


Vermont Snowflake



U1: 7400 TTL NAND

Tuning Range: 3500-3560KHz

2.1vpk squarewave at U1 pin 8,11 with key down

Transmitter output: 17.5mW into 50 Ohms

de AA1TJ