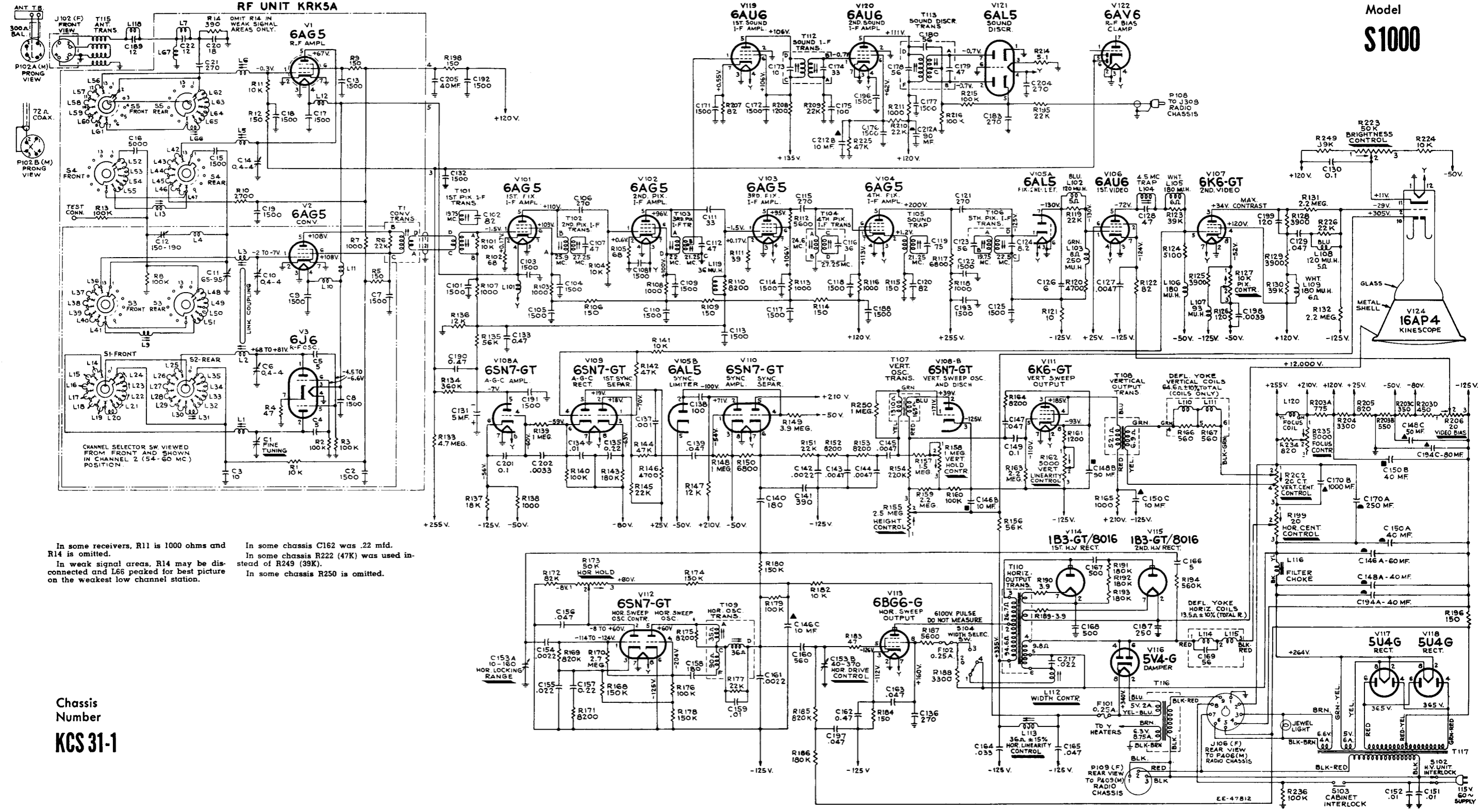


Model
S1000

RF UNIT KRK5A



In some receivers, R11 is 1000 ohms and R14 is omitted.
In weak signal areas, R14 may be disconnected and L66 peaked for best picture on the weakest low channel station.

In some chassis C162 was .22 mfd. In some chassis R222 (47K) was used instead of R249 (39K). In some chassis R250 is omitted.

Chassis
Number
KCS 31-1