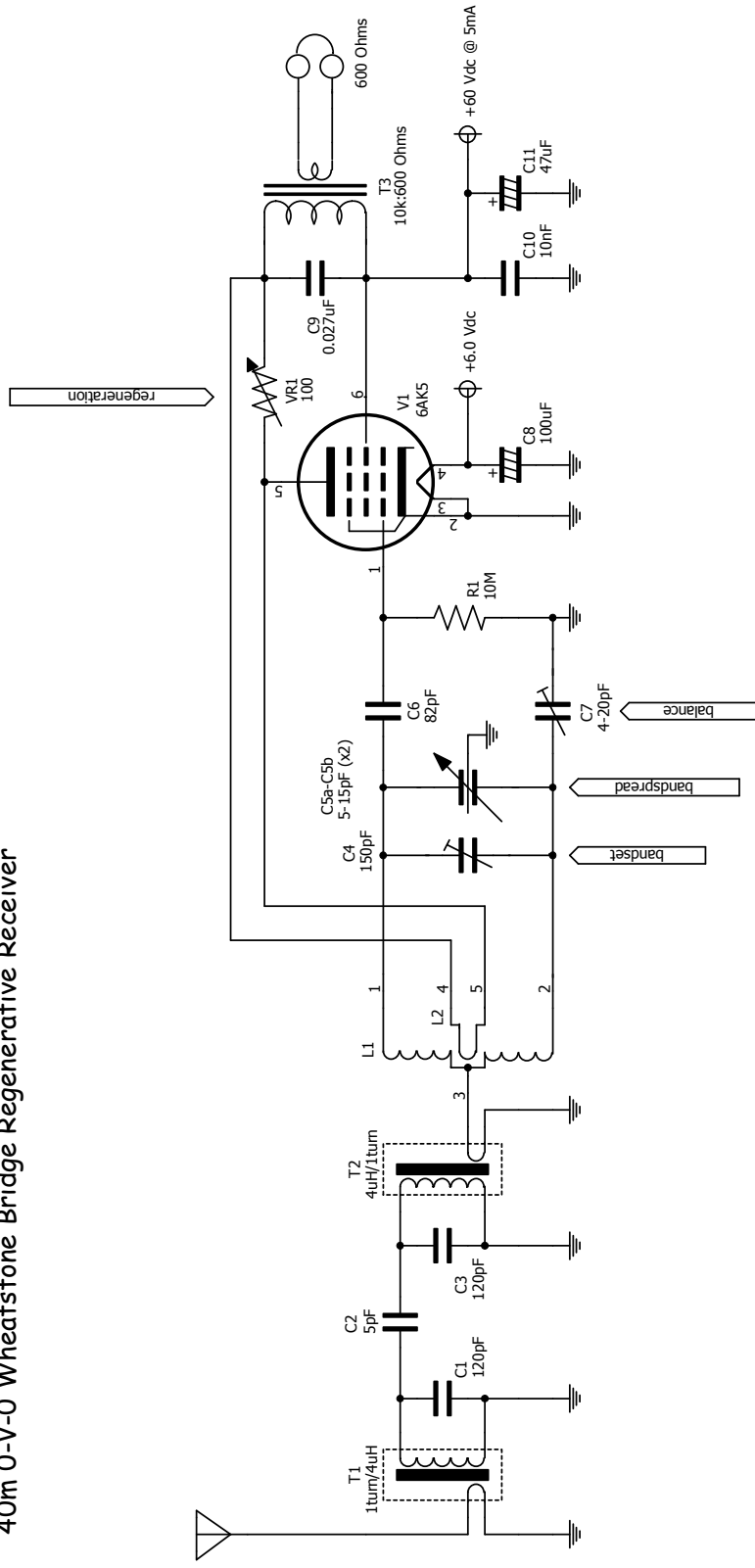


40m O-V-O Wheatstone Bridge Regenerative Receiver



L1: 4uH; 34 turns with center-tap, #18 enamelled wire on 10mm diameter form.

L2: 1 turn of #18 enamelled wire located at the center of L1.

T1,T2: 4uH ferrite, cup-tuned, 10mm sq., shielded; pry off shield to wind 1 coupling-turn on each inductor

Headphones: 600 Ohm impedance or higher; change T3 to match phones used

Mike, AA1TJ